



# State Pollutant Discharge Elimination System (SPDES) DISCHARGE PERMIT

SIC Code:	<b>3089</b>	NAICS Code:	<b>326199</b>	SPDES Number:	<b>NY0296759</b>
Discharge Class (CL):	<b>01</b>	DEC Number:	<b>5-0942-00538/00001</b>		
Toxic Class (TX):	<b>T</b>	Effective Date (EDP):	<b>EDP</b>		
Major-Sub Drainage Basin:	<b>10 - 02</b>	Expiration Date (ExDP):	<b>EDP + 5 years</b>		
Water Index Number:	<b>Groundwater</b>	Item No.:	<b>-</b>	Modification Dates (EDPM):	
Compact Area:	<b>NEIWPCC</b>				

This SPDES permit is issued in compliance with Title 8 of Article 17 of the Environmental Conservation Law of New York State and in compliance with the Clean Water Act, as amended, (33 U.S.C. ' 1251 et.seq.)

PERMITTEE NAME AND ADDRESS					
Name:	<b>UMS Property LLC</b>			Attention:	<b>Matt Bokus, EH&amp;S Manager</b>
Street:	<b>194 Pleasant Ridge Road</b>				
City:	<b>Plattsburgh</b>	State:	<b>NY</b>	Zip Code:	<b>12901</b>
Email:	<b>MBokus@schluter.com</b>			Phone:	<b>(518) 324-5639</b>

is authorized to discharge from the facility described below:

FACILITY NAME, ADDRESS, AND PRIMARY OUTFALL										
Name:	<b>Production Facility KB4</b>									
Address / Location:	<b>26 Irish Settlement Road</b>						County:	<b>Clinton</b>		
City:	<b>Plattsburgh</b>				State:	<b>NY</b>	Zip Code:	<b>12901</b>		
Facility Location:	Latitude:	<b>44</b> °	<b>39</b> '	<b>27.3</b> " N	& Longitude:	<b>73</b> °	<b>29</b> '	<b>12.3</b> " W		
Primary Outfall No.:	<b>001</b>	Latitude:	<b>44</b> °	<b>39</b> '	<b>31.4</b> " N	& Longitude:	<b>73</b> °	<b>29</b> '	<b>10.1</b> " W	
Wastewater Description:	<b>Sanitary &amp; Floor Wash Wastewater</b>	Receiving Water:	<b>Groundwater</b>		NAICS:	<b>326199</b>	Class:	<b>GA</b>	Standard:	<b>-</b>

and the additional outfalls listed in this permit, in accordance with: effluent limitations; monitoring and reporting requirements; other provisions and conditions set forth in this permit; and 6 NYCRR Part 750-1 and 750-2.

This permit and the authorization to discharge shall expire on midnight of the expiration date shown above and the permittee shall not discharge after the expiration date unless this permit has been renewed or extended pursuant to law. To be authorized to discharge beyond the expiration date, the permittee shall apply for permit renewal not less than 180 days prior to the expiration date shown above.

**DISTRIBUTION:**

BWP Permit Coordinator ([permit.coordinator@dec.ny.gov](mailto:permit.coordinator@dec.ny.gov))  
 BWP Permit Writer  
 RWE  
 RPA  
 EPA Region II ([Region2\\_NPDES@epa.gov](mailto:Region2_NPDES@epa.gov))

Permit Administrator:	<b>Erin M. Donhauser</b>	
Address:	<b>1115 NYS RTE 86 Ray Brook, NY 12977</b>	
Signature	Date	

## Contents

SUMMARY OF ADDITIONAL OUTFALLS.....	3
DEFINITIONS.....	4
PERMIT LIMITS, LEVELS AND MONITORING - 001.....	5
PERMIT LIMITS, LEVELS AND MONITORING - 002.....	<b>Error! Bookmark not defined.</b>
STORMWATER POLLUTION PREVENTION REQUIREMENTS .....	6
BEST MANAGEMENT PRACTICES (BMPs) FOR INDUSTRIAL FACILITIES .....	7
MONITORING LOCATIONS.....	10
GENERAL REQUIREMENTS.....	11
RECORDING, REPORTING AND ADDITIONAL MONITORING REQUIREMENTS.....	12
D. Schedule of Additional Submittals:.....	12

DRAFT

## SUMMARY OF ADDITIONAL OUTFALLS

Outfall	Wastewater Description	NAICS Code	Outfall Latitude			Outfall Longitude		
<b>002</b>	<b>Reverse Osmosis (RO) Backwash</b>	<b>326199</b>	<b>44</b> °	<b>39</b> '	<b>23.5</b> " N	<b>73</b> °	<b>29</b> '	<b>20.01</b> " W
Receiving Water: <b>Groundwater</b>						Class: <b>GA</b>		

DRAFT

## DEFINITIONS

TERM	DEFINITION
7-Day Geo Mean	The highest allowable geometric mean of daily discharges over a calendar week.
7-Day Average	The average of all daily discharges for each 7-days in the monitoring period. The sample measurement is the highest of the 7-day averages calculated for the monitoring period.
12-Month Rolling Average (12 MRA)	The current monthly value of a parameter, plus the sum of the monthly values over the previous 11 months for that parameter, divided by the number of months for which samples were collected in the 12-month period.
30-Day Geometric Mean	The highest allowable geometric mean of daily discharges over a calendar month, calculated as the antilog of: the sum of the log of each of the daily discharges measured during a calendar month divided by the number of daily discharges measured during that month.
Action Level	Action level means a monitoring requirement characterized by a numerical value that, when exceeded, triggers additional permittee actions and department review to determine if numerical effluent limitations should be imposed.
Compliance Level / Minimum Level	A compliance level is an effluent limitation. A compliance level is given when the water quality evaluation specifies a Water Quality Based Effluent Limit (WQBEL) below the Minimum Level. The compliance level shall be set at the Minimum Level (ML) for the most sensitive analytical method as given in 40 CFR Part 136, or otherwise accepted by the DEC.
Daily Discharge	The discharge of a pollutant measured during a calendar day or any 24-hour period that reasonably represents the calendar day for the purposes of sampling. For pollutants expressed in units of mass, the 'daily discharge' is calculated as the total mass of the pollutant discharged over the day. For pollutants with limitations expressed in other units of measurement, the 'daily discharge' is calculated as the average measurement of the pollutant over the day.
Daily Maximum	The highest allowable Daily Discharge.
Daily Minimum	The lowest allowable Daily Discharge.
Effective Date of Permit (EDP or EDPM)	The date this permit is in effect.
Effluent Limitations	Effluent limitation means any restriction on quantities, quality, rates and concentrations of chemical, physical, biological, and other constituents of effluents that are discharged into waters of the state.
Expiration Date of Permit (ExDP)	The date this permit is no longer in effect.
Instantaneous Maximum	The maximum level that may not be exceeded at any instant in time.
Instantaneous Minimum	The minimum level that must be maintained at all instants in time.
Monthly Average	The highest allowable average of daily discharges over a calendar month, calculated as the sum of each of the daily discharges measured during a calendar month divided by the number of daily discharges measured during that month.
Outfall	The terminus of a sewer system, or the point of emergence of any waterborne sewage, industrial waste or other wastes or the effluent therefrom, into the waters of the State.
Range	The minimum and maximum instantaneous measurements for the reporting period must remain between the two values shown.
Receiving Water	The classified waters of the state to which the listed outfall discharges.
Sample Frequency / Sample Type / Units	See DEC's "DMR Manual for Completing the Discharge Monitoring Report for the SPDES" for information on sample frequency, type and units.

## PERMIT LIMITS, LEVELS AND MONITORING

OUTFALL	DESCRIPTION	RECEIVING WATER	EFFECTIVE	EXPIRING
001	Sanitary & Floor Wash Water	Groundwater	EDP	EDP +5 years

PARAMETER	EFFLUENT LIMITATION					MONITORING REQUIREMENTS				FN
	Type	Limit	Units	Limit	Units	Sample Frequency	Sample Type	Location		
								Inf.	Eff.	
Flow	Daily Maximum	3770	GPD	-	-	Continuous	Estimate		X	1
pH	Daily Minimum	6.5	SU	-	-	Monthly	Grab		X	
	Daily Maximum	8.5	SU	-	-					
Total Copper	Daily Maximum	0.4	mg/L	-	-	Monthly	Grab		X	
Oil & Grease	Daily Maximum	15	mg/L	-	-	Monthly	Grab		X	

OUTFALL	DESCRIPTION	RECEIVING WATER	EFFECTIVE	EXPIRING
002	Reverse Osmosis (RO) Backwash	Groundwater	EDP	EDP +5 years

PARAMETER	EFFLUENT LIMITATION					MONITORING REQUIREMENTS				FN
	Type	Limit	Units	Limit	Units	Sample Frequency	Sample Type	Location		
								Inf.	Eff.	
Flow	Daily Maximum	15173	GPD	-	-	Continuous	Estimate		X	1
pH	Daily Minimum	6.5	SU	-	-	Monthly	Grab		X	
	Daily Maximum	8.5	SU	-	-					
Total Copper	Daily Maximum	0.4	mg/L	-	-	Monthly	Grab			

**FOOTNOTES:**

- Flow shall be based on the hour meters in the pump chambers.

## STORMWATER POLLUTION PREVENTION REQUIREMENTS

### **NO EXPOSURE CERTIFICATION**

The permittee submitted a Conditional Exclusion for No Exposure Form on March 6, 2024, certifying that all industrial activities and materials are completely sheltered from exposure to rain, snow, snowmelt, and stormwater runoff except as allowed under 40 CFR 122.26(g)(2). The permittee must maintain a condition of no exposure for the exclusion to remain applicable. If conditions change resulting in the exposure of materials and activities to stormwater, the permittee must notify the Regional Water Engineer. The permittee must recertify a condition of no exposure every five years by completing the "No Exposure Certification Form" found on the DEC website.

DRAFT

## BEST MANAGEMENT PRACTICES (BMPs) FOR INDUSTRIAL FACILITIES

Note that for some facilities, especially those with few employees or limited industrial activities, some of the below BMPs may not be applicable. It is acceptable in these cases to indicate "Not Applicable" for the portion(s) of the BMP Plan that do not apply to your facility, along with an explanation.

- General** - The permittee shall develop, maintain, and implement a Best Management Practices (BMP) plan to prevent releases of significant amounts of pollutants to the waters of the State through plant site runoff; spillage and leaks; sludge or waste disposal; and stormwater discharges including, but not limited to, drainage from raw material storage. The BMP plan shall be documented in narrative form and shall include the 13 minimum BMPs and any necessary plot plans, drawings, or maps. Other documents already prepared for the facility such as a Safety Manual or a Spill Prevention, Control and Countermeasure (SPCC) plan may be used as part of the plan and may be incorporated by reference. A copy of the current BMP plan shall be submitted to the DEC as required in item (2.) below and a copy must be maintained at the facility and shall be available to authorized DEC representatives upon request.
- Compliance Deadlines** – The initial BMP plan shall be submitted in accordance with the Schedule of Submittals to the Regional Water Engineer. The BMP plan shall be implemented within 6 months of submission, unless a different time frame is approved by the Department.
- Facility Review** - The permittee shall review all facility components or systems (including but not limited to material storage areas; in-plant transfer, process, and material handling areas; loading and unloading operations; storm water, erosion, and sediment control measures; process emergency control systems; and sludge and waste disposal areas) where materials or pollutants are used, manufactured, stored or handled to evaluate the potential for the release of pollutants to the waters of the State. In performing such an evaluation, the permittee shall consider such factors as the probability of equipment failure or improper operation, cross-contamination of storm water by process materials, settlement of facility air emissions, the effects of natural phenomena such as freezing temperatures and precipitation, fires, and the facility's history of spills and leaks. The relative toxicity of the pollutant shall be considered in determining the significance of potential releases. The review shall address all substances present at the facility that are identified in the SPDES application Form NY-2C (available at [https://www.dec.ny.gov/docs/permits\\_ej\\_operations\\_pdf/form2c.pdf](https://www.dec.ny.gov/docs/permits_ej_operations_pdf/form2c.pdf)) or that are required to be monitored for by the SPDES permit.
- 13 Minimum BMPs:** Whenever the potential for a release of pollutants to State waters is determined to be present, the permittee shall identify BMPs that have been established to prevent or minimize such potential releases. Where BMPs are inadequate or absent, appropriate BMPs shall be established. In selecting appropriate BMPs, the permittee shall consider good industry practices and, where appropriate, structural measures such as secondary containment and erosion/sediment control devices and practices. USEPA guidance for development of stormwater elements of the BMP is available in *Developing Your Stormwater Pollution Prevention Plan A Guide for Industrial Operators*, February 2009, EPA 833-B-09-002. As a minimum, the plan shall include the following BMPs:

- |                                     |   |                                 |
|-------------------------------------|---|---------------------------------|
| 1. BMP Pollution Prevention Team    | 6. Security   | 10. Spill Prevention & Response |
| 2. Reporting of BMP Incidents       | 7. Preventive Maintenance                             | 11. Erosion & Sediment Control  |
| 3. Risk Identification & Assessment | 8. Good Housekeeping                                  | 12. Management of Runoff        |
| 4. Employee Training                | 9. Materials/Waste Handling, Storage, & Compatibility | 13. Street Sweeping             |
| 5. Inspections and Records          |   |                                 |

## BMPs FOR INDUSTRIAL FACILITIES (continued)

5. **Stormwater Pollution Prevention Plans (SWPPPs) Required for Discharges of Stormwater from Construction Activity to Surface Waters** - A SWPPP shall be developed prior to commencing any construction activity that will result in soil disturbance of one or more acres of uncontaminated area<sup>1</sup>. (Note: the disturbance threshold is 5000 SF in the New York City East of Hudson Watershed). The SWPPP shall conform to the current version of the SPDES General Permit for Stormwater Discharges from Construction Activity (CGP), including the *New York Standards and Specifications for Erosion and Sediment Control* and *New York State Stormwater Management Design Manual*. The permittee shall submit a copy of the SWPPP and any amendments thereto to the local governing body and any other authorized agency having jurisdiction or regulatory control over the construction activity **at least 30 days prior to soil disturbance**. The SWPPP shall be maintained on-site and submitted to the Department only upon request. When a SWPPP is required, a properly completed *Notice of Intent* (NOI) form shall be submitted (available at [www.dec.ny.gov/chemical/43133.html](http://www.dec.ny.gov/chemical/43133.html)) prior to soil disturbance. Note that submission of the NOI is required for informational purposes; the permittee is not eligible for and will not obtain coverage under any SPDES general permit for stormwater discharges. SWPPPs must be developed for subsequent site disturbances in accordance with the above requirements. The permittee is responsible for ensuring that the provisions of each SWPPP are properly implemented.
6. **Required Sampling For "Hot Spot" Identification** - Development of the BMP plan shall include sampling of waste stream segments for the purpose of pollutant "hot spot" identification. The economic achievability of effluent limits will not be considered until plant site "hot spot" sources have been identified, contained, removed or minimized through the imposition of site specific BMPs or application of internal facility treatment technology. For the purposes of this permit condition a "hot spot" is a segment of an industrial facility (including but not limited to soil, equipment, material storage areas, sewer lines etc.) which contributes elevated levels of problem pollutants to the wastewater or stormwater collection system of that facility. For the purposes of this definition, problem pollutants are substances for which treatment to meet a water quality or technology requirement may, considering the results of waste stream segment sampling, be deemed unreasonable. For the purposes of this definition, an elevated level is a concentration or mass loading of the pollutant in question which is sufficiently higher than the concentration of that same pollutant at the compliance monitoring location so as to allow for an economically justifiable removal, isolation, or B.A.T. treatment of wastewaters emanating from the segment.
7. **Facilities with Petroleum or Chemical Bulk Storage (PBS and CBS) Areas** - Compliance must be maintained with all applicable regulations including those involving releases, registration, handling and storage (6 NYCRR 595-599 and 612-614). Stormwater discharges from handling and storage areas should be eliminated where practical.
- A. **Spill Cleanup** - All spilled or leaked substances must be removed from secondary containment systems as soon as practical and for CBS storage areas within 24 hours, unless written authorization is received from the DEC. The containment system must be thoroughly cleaned to remove any residual contamination which could cause contamination of stormwater and the resulting discharge of pollutants to waters of the State. Following spill cleanup the affected area must be completely flushed with clean water three times and the water removed after each flushing for proper disposal in an on-site or off-site wastewater treatment plant designed to treat such water and permitted to discharge such wastewater. Alternately, the permittee may test the first batch of stormwater following the spill cleanup to determine discharge acceptability. If the water contains no pollutants at concentrations above the applicable effluent limits or Action Levels it may be discharged. Otherwise it must be disposed of as noted above. See *Discharge Monitoring* below for the list of parameters to be sampled for.
- B. **Discharge Operation** - Stormwater must be removed before it compromises the required containment system capacity. Each discharge may only proceed with the prior approval of the permittee staff person responsible for ensuring SPDES permit compliance. Bulk storage secondary containment drainage systems must be locked in a closed position except when the operator is in the process of draining accumulated stormwater. Transfer area secondary containment drainage systems must be locked in a closed position during all transfers to or from these systems and must not be reopened unless the transfer area is clean of contaminants. Stormwater discharges from secondary containment systems should be avoided during periods of precipitation. A logbook shall be maintained on site noting the date, time and personnel supervising each discharge.

---

<sup>1</sup> Uncontaminated area means soils which are free of contamination by any toxic or non-conventional pollutants identified in the tables of SPDES Application Form NY-2C. Disturbance of any size contaminated area(s) and the resulting discharge of contaminated stormwater is not authorized by this permit unless the discharge is under State or Federal oversight as part of a remedial program or after review by the Regional Water Engineer; nor is such discharge authorized by any SPDES general permit for stormwater discharges.

## BMPs FOR INDUSTRIAL FACILITIES (continued)

C. Discharge Screening - Prior to each discharge from a secondary containment system the stormwater must be screened for contamination\*. All stormwater must be inspected for visible evidence of contamination. Additional screening methods shall be developed by the permittee as part of the overall BMP Plan, e.g. the use of volatile gas meters to detect the presence of gross levels of gasoline or volatile organic compounds. If the screening indicates contamination, the permittee must collect and analyze a representative sample\*\* of the stormwater. If the water contains no pollutants at concentrations above the applicable effluent limits or Action Levels it may be discharged. Otherwise, it must either be disposed of in an onsite or off-site wastewater treatment plant designed to treat and permitted to discharge such wastewater or the Regional Water Engineer can be contacted to determine if it may be discharged without treatment.

D. Discharge Monitoring - Unless the discharge from any bulk storage containment system outlet is identified in the SPDES permit as an outfall with explicit effluent and monitoring requirements, the permittee shall monitor the outlet as follows:

(i) *Bulk Storage Secondary Containment Systems:*

(a) The volume of each discharge from each outlet must be monitored. Discharge volume may be calculated by measuring the depth of water within the containment area times the wetted area converted to gallons or by other suitable methods. A representative sample shall be collected of the first discharge\* following any cleaned up spill or leak. The sample must be analyzed for pH, the substance(s) stored within the containment area and any other pollutants the permittee knows or has reason to believe are present\*\*.

(b) Every fourth discharge\* from each outlet must be sampled for pH, the substance(s) stored within the containment area and any other pollutants the permittee knows or has reason to believe are present\*\*.

(ii) *Transfer Area Secondary Containment Systems:*

The first discharge\* following any spill or leak must be sampled for flow, pH, the substance(s) transferred in that area and any other pollutants the permittee knows or has reason to believe are present\*\*.

E. Discharge Reporting - Any results of monitoring required above, excluding screening data, must be submitted to the Department by appending them to the corresponding DMR. Failure to perform the required discharge monitoring and reporting shall constitute a violation of the terms of the SPDES permit.

F. Prohibited Discharges - **In all cases, any discharge which contains a visible sheen, foam, or odor, or may cause or contribute to a violation of water quality is prohibited.** The following discharges are prohibited unless specifically authorized elsewhere in this SPDES permit: spills or leaks, tank bottoms, maintenance wastewaters, wash waters where detergents or other chemicals have been used, tank hydrotest and ballast waters, contained firefighting runoff, fire training water contaminated by contact with pollutants or containing foam or fire retardant additives, and unnecessary discharges of water or wastewater into secondary containment systems.

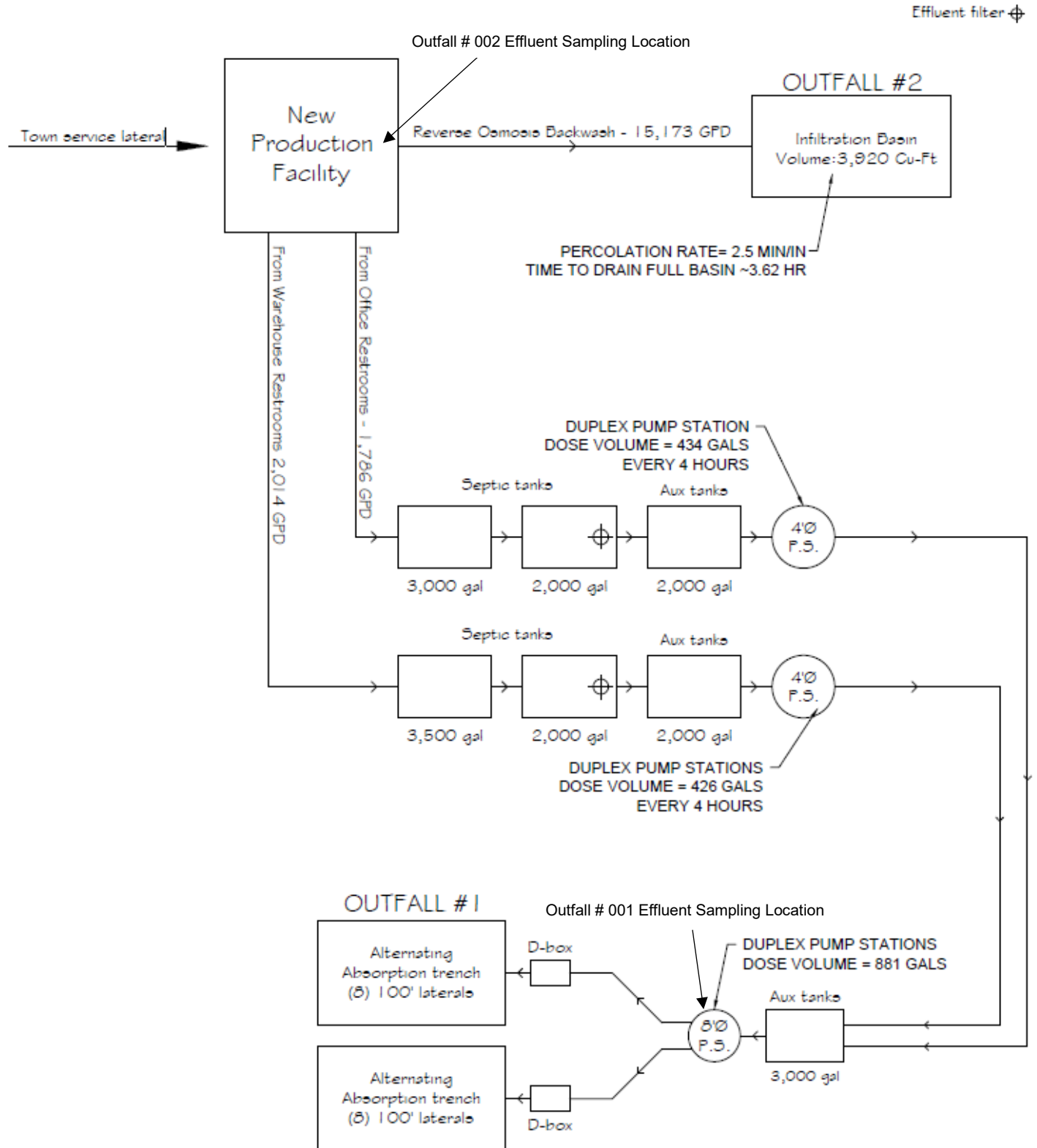
\* Discharge includes stormwater discharges and snow and ice removal. If applicable, a representative sample of snow and/or ice should be collected and allowed to melt prior to assessment.

\*\* If the stored substance is gasoline or aviation fuel then sample for oil & grease, benzene, ethylbenzene, naphthalene, toluene and total xylenes. If the stored substance is kerosene, diesel fuel, fuel oil, or lubricating oil then sample for oil & grease and polynuclear aromatic hydrocarbons (PAHs). The analytical methods selected for monitoring the stored substances are to be the most sensitive in detecting and quantifying the target analytes as approved under 40 CFR Part 136 and in compliance with NYSDOH ELAP certified methods or as directed by the Department. If the substance(s) are listed in the tables of SPDES Application Form NY-2C then sampling is required. Contact the facility inspector for further guidance. In all cases flow and pH monitoring is required.

# MONITORING LOCATIONS

The permittee shall take samples and measurements, to comply with the monitoring requirements specified in this permit, at the locations(s) specified below:

- Outfall # 001 Effluent: Pump Station #1
- Outfall # 002 Effluent: Pump Station inside of facility



## GENERAL REQUIREMENTS

- A. The regulations in 6 NYCRR Part 750 are hereby incorporated by reference and the conditions are enforceable requirements under this permit. The permittee shall comply with all requirements set forth in this permit and with all the applicable requirements of 6 NYCRR Part 750 incorporated into this permit by reference, including but not limited to the regulations in paragraphs B through H as follows:
- B. General Conditions
- |  |   |
|--|---|
| 1. Duty to comply                                | 6 NYCRR 750-2.1(e) & 2.4                |
| 2. Duty to reapply                               | 6 NYCRR 750-1.16(a)                     |
| 3. Need to halt or reduce activity not a defense | 6 NYCRR 750-2.1(g)                      |
| 4. Duty to mitigate                              | 6 NYCRR 750-2.7(f)                      |
| 5. Permit actions                                | 6 NYCRR 750-1.1(c), 1.18, 1.20 & 2.1(h) |
| 6. Property rights                               | 6 NYCRR 750-2.2(b)                      |
| 7. Duty to provide information                   | 6 NYCRR 750-2.1(i)                      |
| 8. Inspection and entry                          | 6 NYCRR 750-2.1(a) & 2.3                |
- C. Operation and Maintenance
- |                                   |                                      |
|-----------------------------------|--------------------------------------|
| 1. Proper Operation & Maintenance | 6 NYCRR 750-2.8                      |
| 2. Bypass                         | 6 NYCRR 750-1.2(a)(17), 2.8(b) & 2.7 |
| 3. Upset                          | 6 NYCRR 750-1.2(a)(94) & 2.8(c)      |
- D. Monitoring and Records
- |                           |  |
|---------------------------|--|
| 1. Monitoring and records | 6 NYCRR 750-2.5(a)(2), 2.5(a)(6), 2.5(c)(1), 2.5(c)(2), & 2.5(d) |
| 2. Signatory requirements | 6 NYCRR 750-1.8 & 2.5(b)   |
- E. Reporting Requirements
- |   |                                   |
|---|-----------------------------------|
| 1. Reporting requirements for non-POTWs | 6 NYCRR 750-2.5, 2.6, 2.7, & 1.17 |
| 2. Anticipated noncompliance            | 6 NYCRR 750-2.7(a)                |
| 3. Transfers                            | 6 NYCRR 750-1.17                  |
| 4. Monitoring reports                   | 6 NYCRR 750-2.5(e)                |
| 5. Compliance schedules                 | 6 NYCRR 750-1.14(d)               |
| 6. 24-hour reporting                    | 6 NYCRR 750-2.7(c) & (d)          |
| 7. Other noncompliance                  | 6 NYCRR 750-2.7(e)                |
| 8. Other information                    | 6 NYCRR 750-2.1(f)                |
- F. Sludge Management  
The permittee shall comply with all applicable requirements of 6 NYCRR Part 360.
- G. SPDES Permit Program Fee  
The permittee shall pay to the DEC an annual SPDES permit program fee within 30 days of the date of the first invoice, unless otherwise directed by the DEC, and shall comply with all applicable requirements of ECL 72-0602 and 6 NYCRR Parts 480, 481 and 485. Note that if there is inconsistency between the fees specified in ECL 72-0602 and 6 NYCRR Part 485, the ECL 72-0602 fees govern.
- H. Water Treatment Chemicals (WTCs)  
New or increased use and discharge of a WTC requires prior DEC review and authorization. At a minimum, the permittee must notify the DEC in writing of its intent to change WTC use by submitting a completed *WTC Notification Form* for each proposed WTC. The DEC will review that submittal and determine if a SPDES permit modification is necessary or whether WTC review and authorization may proceed outside of the formal permit administrative process. The majority of WTC authorizations do not require SPDES permit modification. In any event, use and discharge of a WTC shall not proceed without prior authorization from the DEC. Examples of WTCs include biocides, coagulants, conditioners, corrosion inhibitors, defoamers, deposit control agents, flocculants, scale inhibitors, sequestrants, and settling aids.
1. WTC use shall not exceed the rate explicitly authorized by this permit or otherwise authorized by the DEC.
  2. The permittee shall maintain a logbook of all WTC use, noting for each WTC the date, time, exact location, and amount of each dosage, and the name of the individual applying or measuring the chemical. The logbook must also document that adequate process controls are in place to ensure excessive levels of WTCs are not used.
  3. The permittee shall submit a completed WTC Annual Report Form each year that they use and discharge WTCs. This form shall be submitted in electronic format and attached to either the December DMR or the annual monitoring report required below. The *WTC Notification Form and WTC Annual Report Form* are available from the DEC's website at: <http://www.dec.ny.gov/permits/93245.html>



Outfall(s)	SCHEDULE OF ADDITIONAL SUBMITTALS - Required Action	Due Date
001 & 002	<p><u>PRIORITY POLLUTANT SCAN</u> The permittee shall conduct a one-time priority pollutant (ref. 40 CFR Part 423, Appendix A) scan. The sample shall be collected on a day in which normal operating conditions are occurring. The sampling results from this scan shall be submitted to the Bureau of Water Compliance, 625 Broadway, Albany NY 12233-3506 and to the Region 5 Regional Water Engineer, 232 Golf Course Road, Warrensburg, New York, 12885-1172.</p> <p>The presence of any parameter not limited in this permit should be noted and accompanied by a short explanation as to the source of the parameter.</p>	Commencement of Operation + 1 year
	<p><u>BMP PLAN</u> The permittee shall submit and annually review, the completed BMP plan. The BMP plan shall be modified whenever: (a) changes at the facility materially increase the potential for releases of pollutants, (b) actual releases indicate the plan is inadequate, or (c) a letter from the DEC identifies inadequacies in the plan. The permittee shall certify in writing, as an attachment to the December Discharge Monitoring Report (DMR), that the annual review has been completed. All BMP plan revisions must be submitted to the Regional Water Engineer within 30 days.</p>	Commencement of Operation + 6 Months, Annually thereafter on January 28 <sup>th</sup>
	<p><u>STORMWATER NO EXPOSURE CERTIFICATION</u> Permittee must recertify every five years a condition of no exposure to stormwater in order to continue to qualify for the no exposure exclusion. The No Exposure Certification Form can be found on the DEC website.</p>	03/06/2029 and every 5 years thereafter

**Unless noted otherwise, the above actions are one-time requirements.**

- E. Monitoring and analysis shall be conducted using sufficiently sensitive test procedures approved under 40 CFR Part 136, unless other test procedures have been specified in this permit.
- F. More frequent monitoring of the discharge(s), monitoring point(s), or waters of the State than required by the permit, where analysis is performed by a certified laboratory or where such analysis is not required to be performed by a certified laboratory, shall be included in the calculations and recording of the data on the corresponding DMRs.
- G. Calculations which require averaging of measurements shall utilize an arithmetic mean unless otherwise specified in this permit.
- H. Unless otherwise specified, all information recorded on the DMRs shall be based upon measurements and sampling carried out during the most recently completed reporting period.
- I. Any laboratory test or sample analysis required by this permit for which the State Commissioner of Health issues certificates of approval pursuant to section 502 of the Public Health Law shall be conducted by a laboratory which has been issued a certificate of approval. Inquiries regarding laboratory certification should be directed to the New York State Department of Health, Environmental Laboratory Accreditation Program.